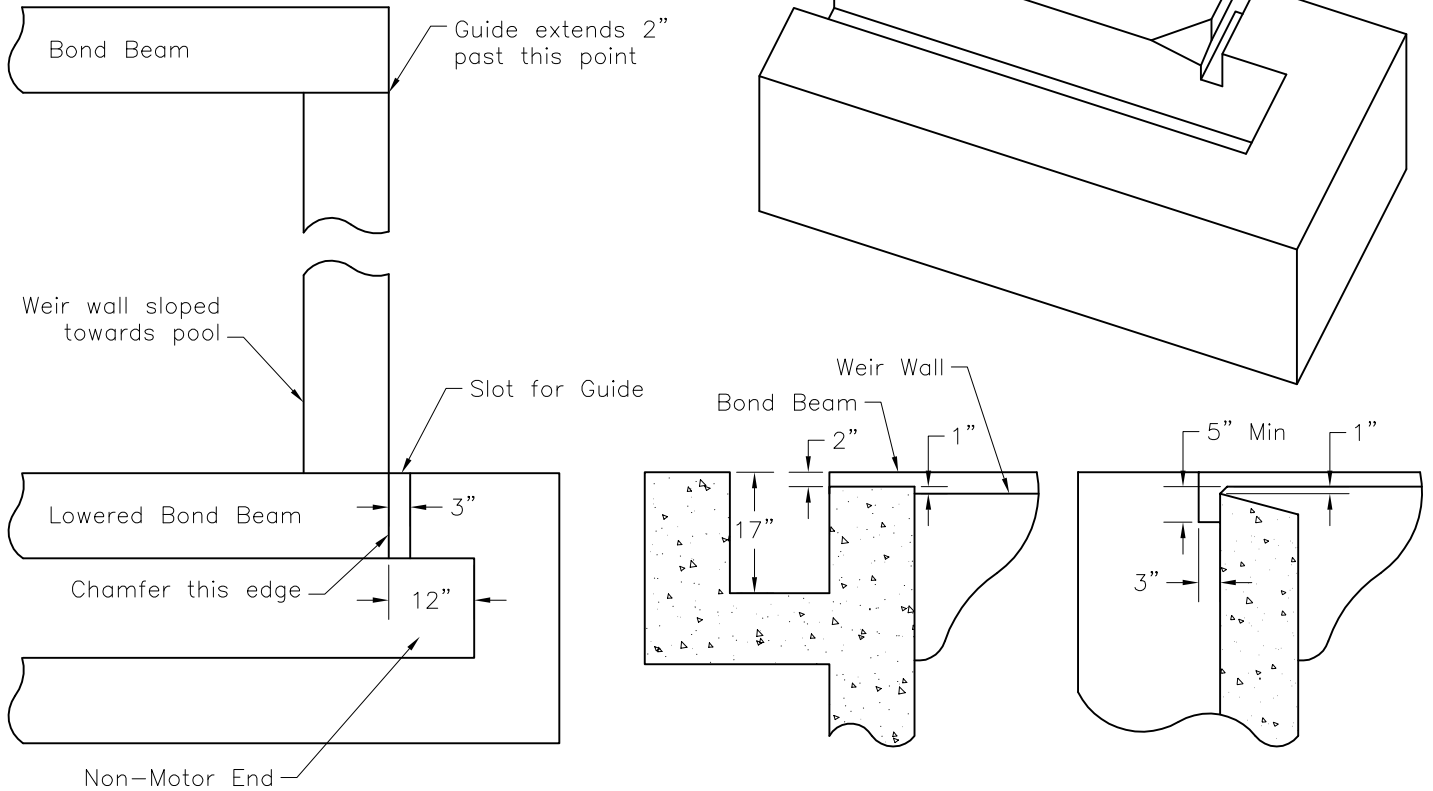


# Vertical Vanishing Edge

## Vertical Negative Edge

Non-motor side offset is increased 12". Coverbox depth is increased 3". Cover box may be drained to catch basin. Elevations specified are for pools with beams notched for encapsulation or using screw-on guide for non-vanishing edge side.

### Gunite Detail



### Finished Detail

