

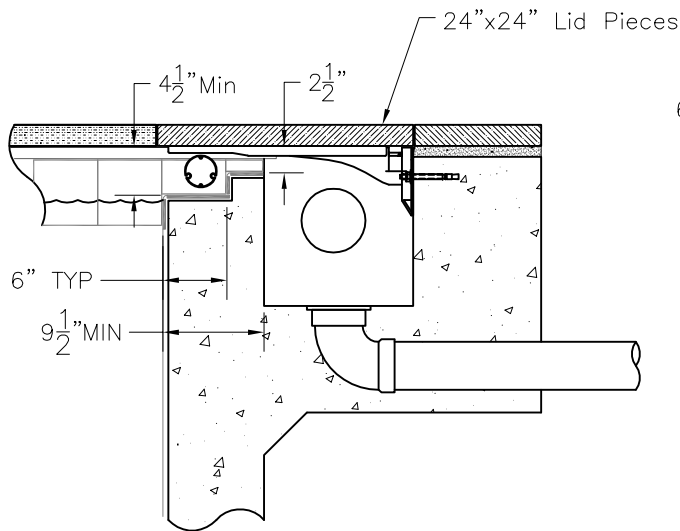
# 3" Hidden Leading Edge Bar

For 3" Diameter Leading Edge Bar  
(pools narrower than 22')

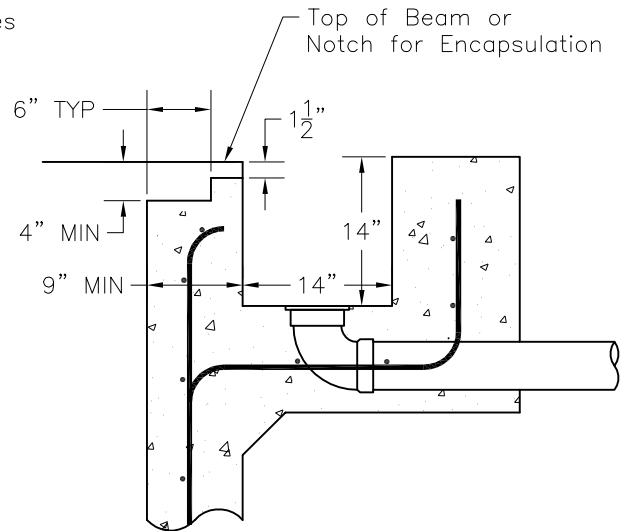
Skimmer height is set for a water line 4" below top of tile for encapsulated guide and 5" below for screw-on guide. Internal walls such as spas must 4 1/2" below bond beam. Because coping and deck thickness vary, housing depth is always measured from the top of beam or top of encapsulation.

## Encapsulated Guide

Finished dimensions

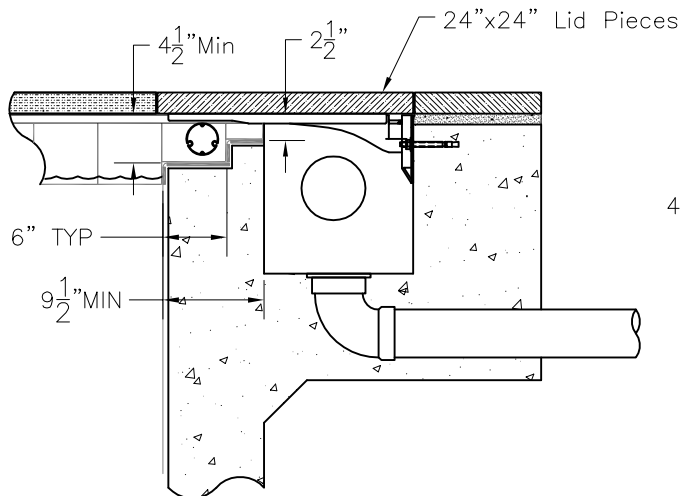


Gunite Dimensions



## Screw-On Guide

Finished dimensions



Gunite Dimensions

