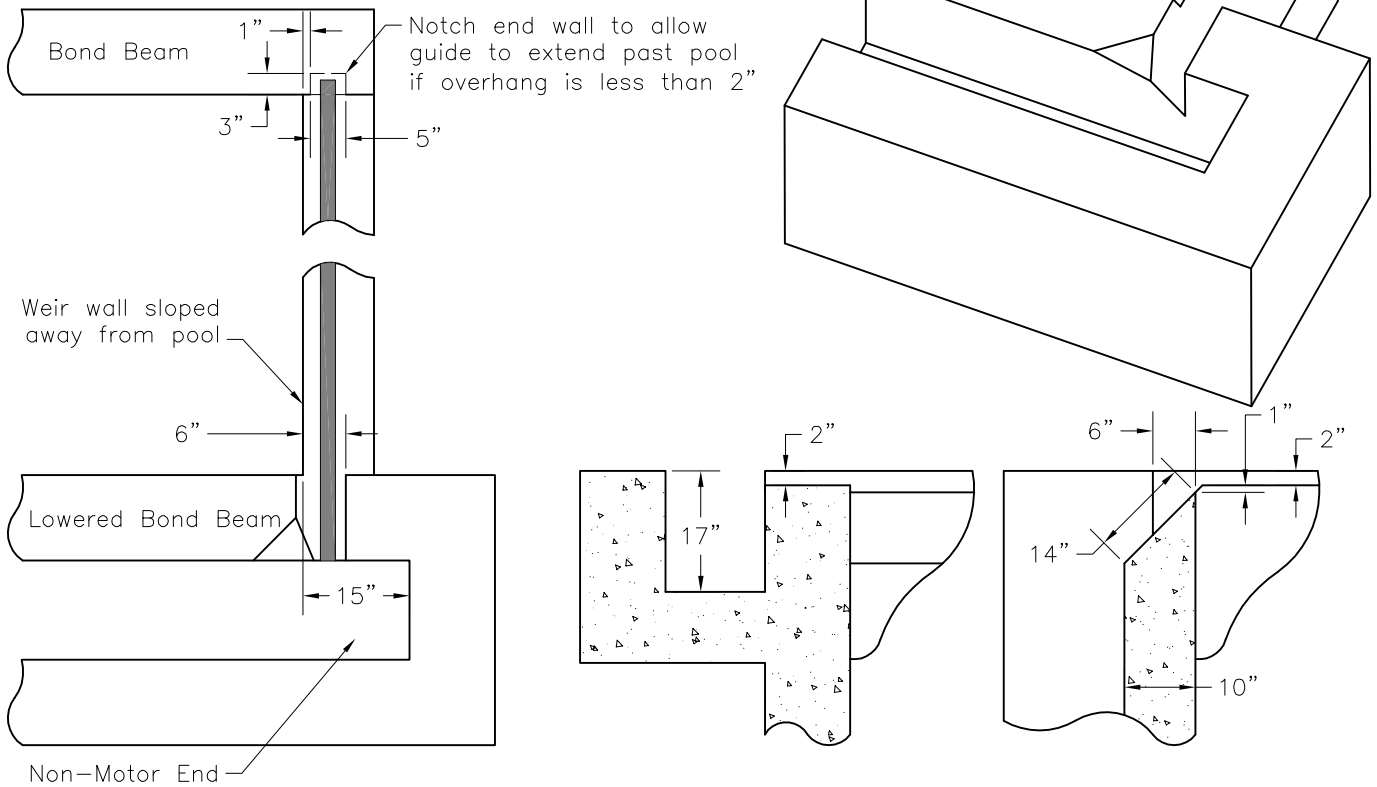


Vanishing Edge

Sloped Negative Edge

Vanishing edge on non-motor side only. Non-motor side offset is increased 3". Coverbox depth is increased 3". Cover box may be drained to catch basin. Elevations specified are for pools with beams notched for encapsulation or using screw-on guide for non-vanishing edge side.

Gunite Detail



Finished Detail

