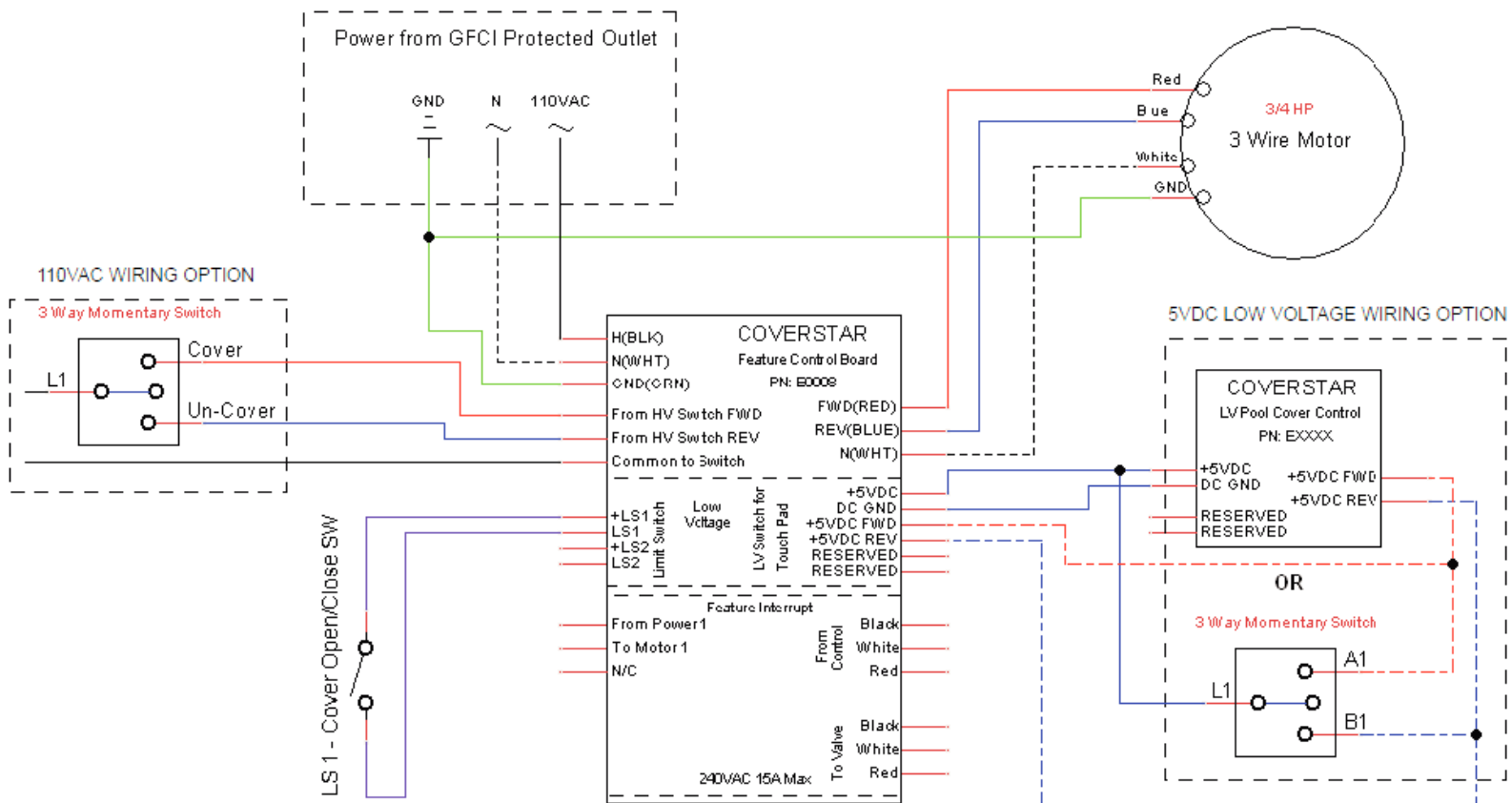


Wiring Schematic for 110 VAC Control Switch, Feature Control and 3 wire 110 VAC power hookup



Notes:

1. Motor is rated at 8 amps.
2. Use 15 amp GFCI breaker at panel.
3. Minimum 14 AWG wiring required for all 110VAC wiring
4. Use 16 – 22 AWG wire for all low voltage wiring
5. Follow all applicable codes.
6. Mount control box in pool room or dry location.
7. Change motor direction by switching directional wires at the key switch
8. LS1 will detect both open and close positions. If limit is triggered (motor does not power on in one direction), reverse direction to reset limit.