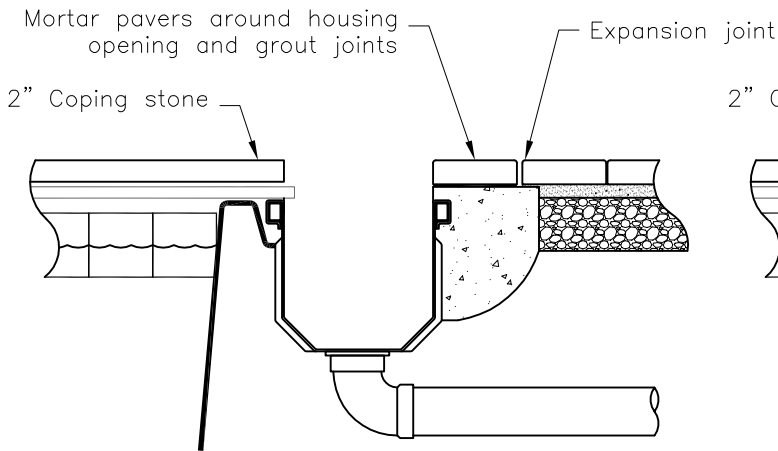
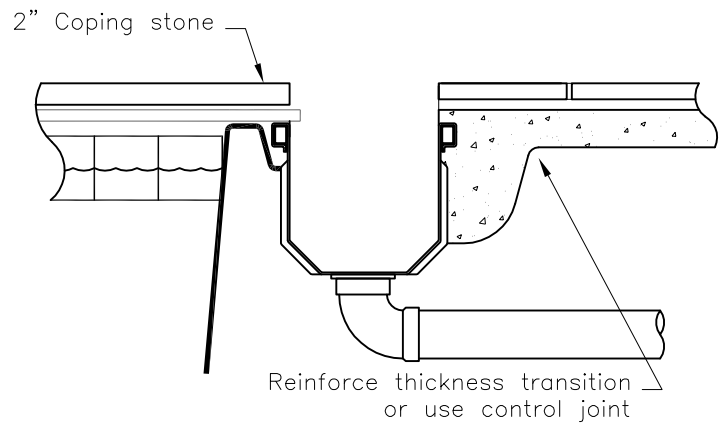


# Finishing the Deck Around the Polymer Housing

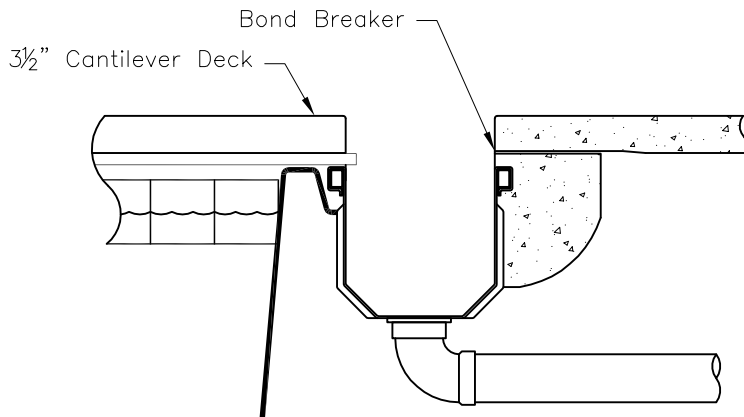
Dry laid pavers



Subdeck with wet laid stone/pavers



Concrete Deck 2 pours



Concrete deck single pour

