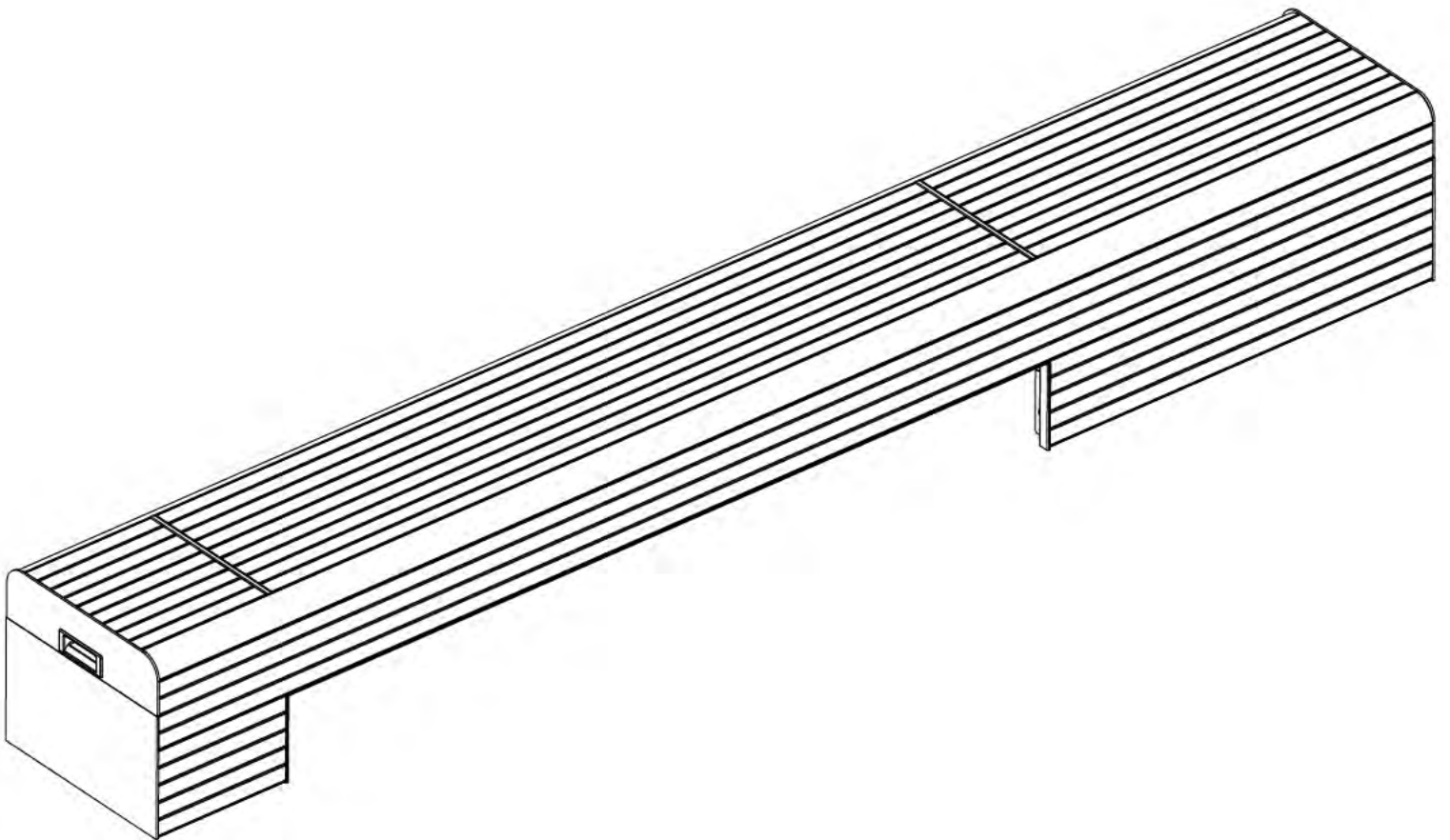
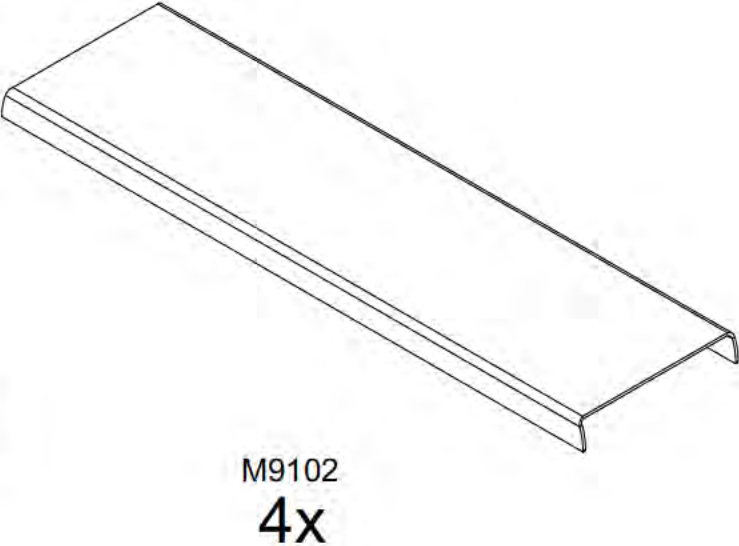
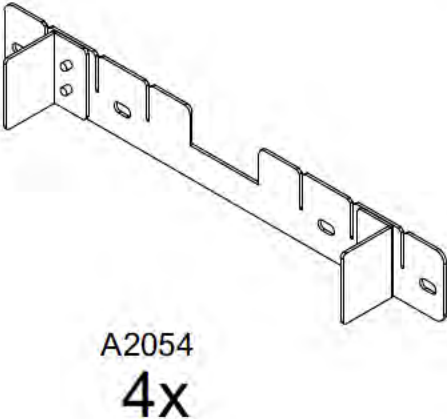
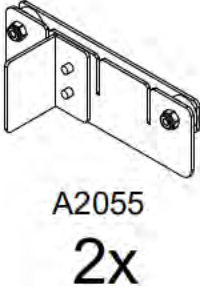
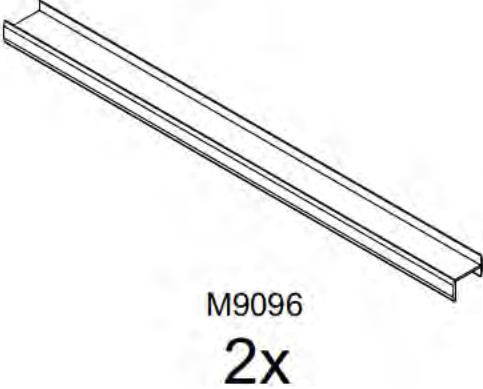
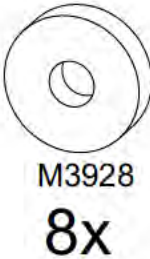
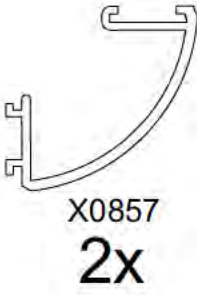
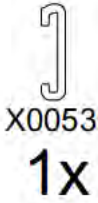


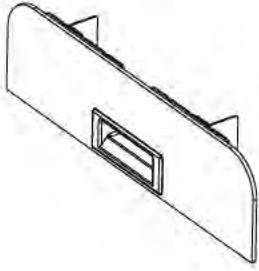
COVERSTAR

**ALUMINUM
BENCH
15in WIDE**

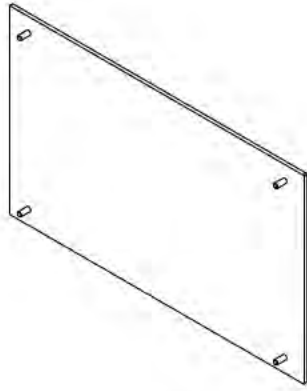


PARTS

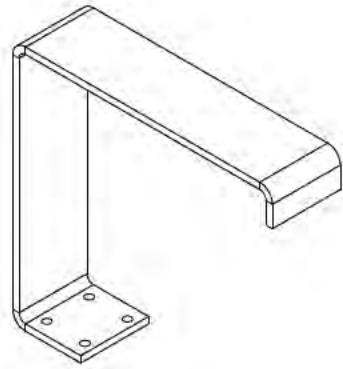




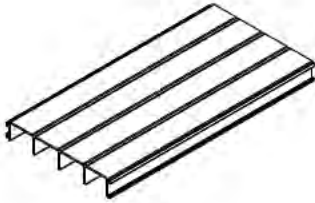
A2051
2x



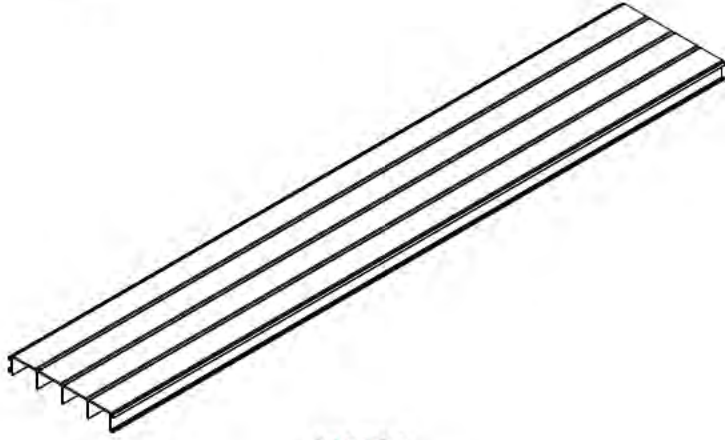
M9098
2x



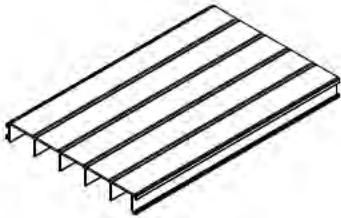
M9101
1x



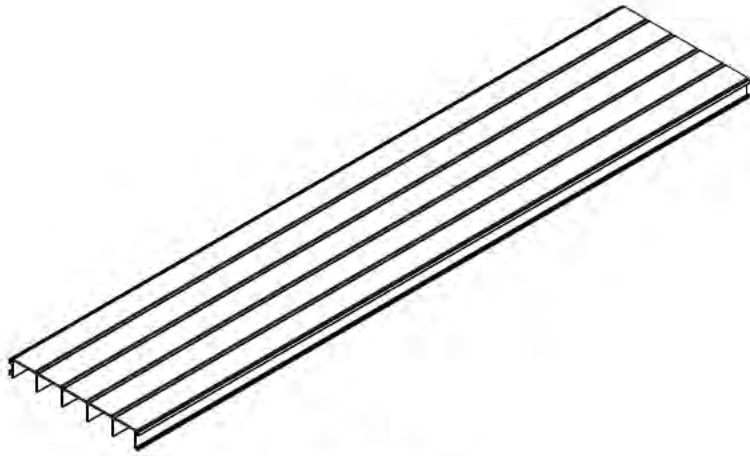
M9093
1x



M9092
1x



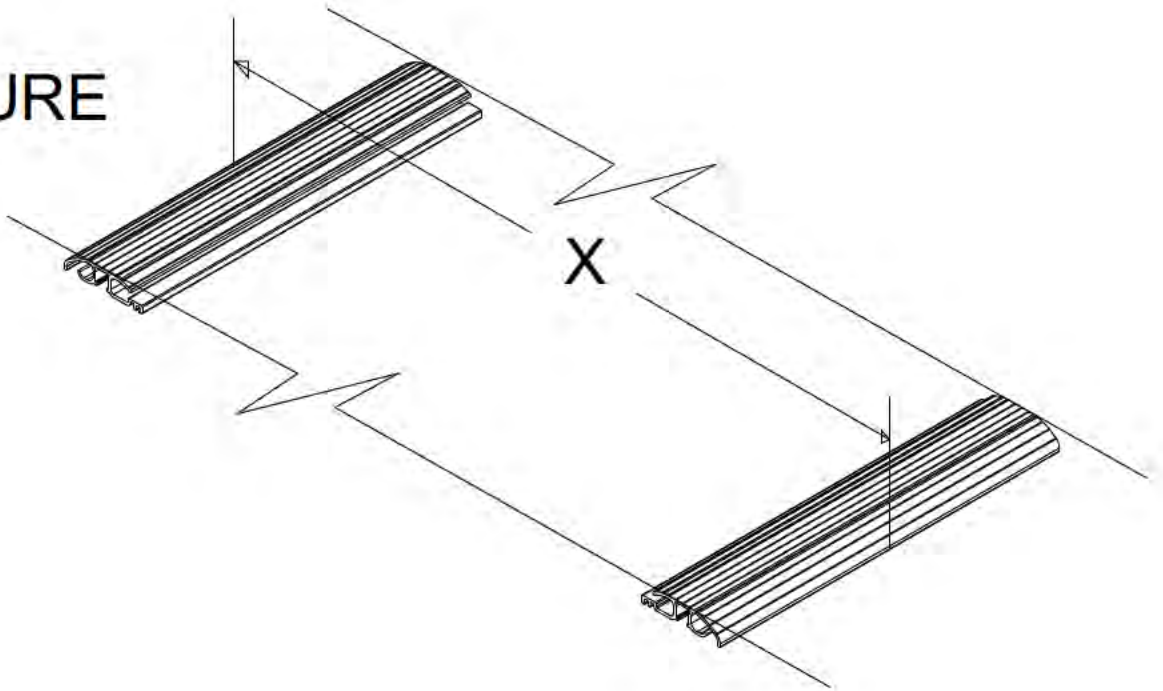
M9091
2x



M9090
2x

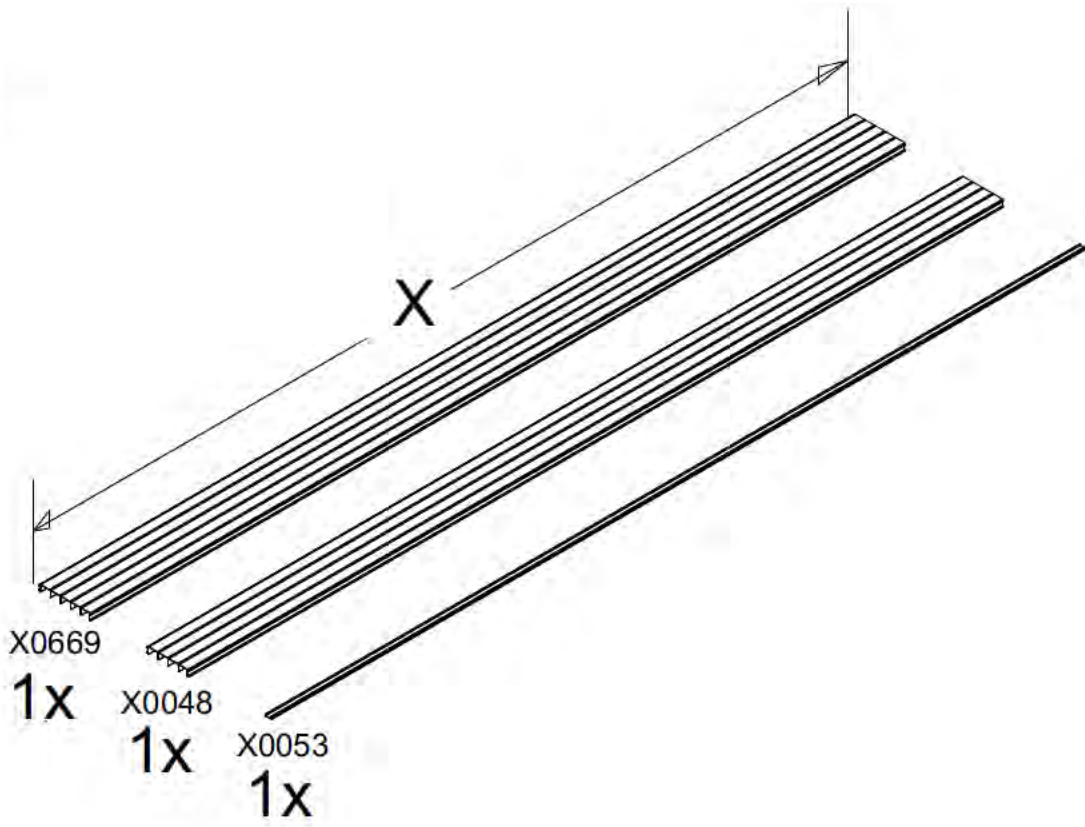
1

MEASURE

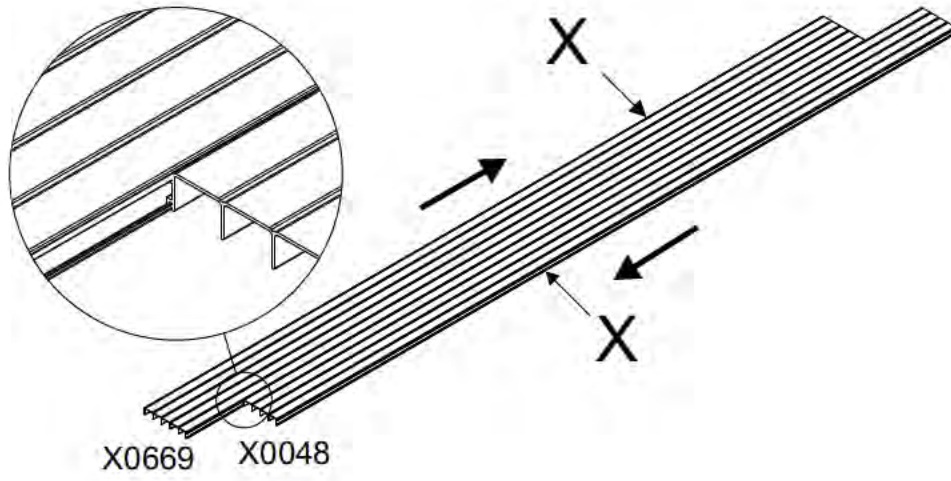


2

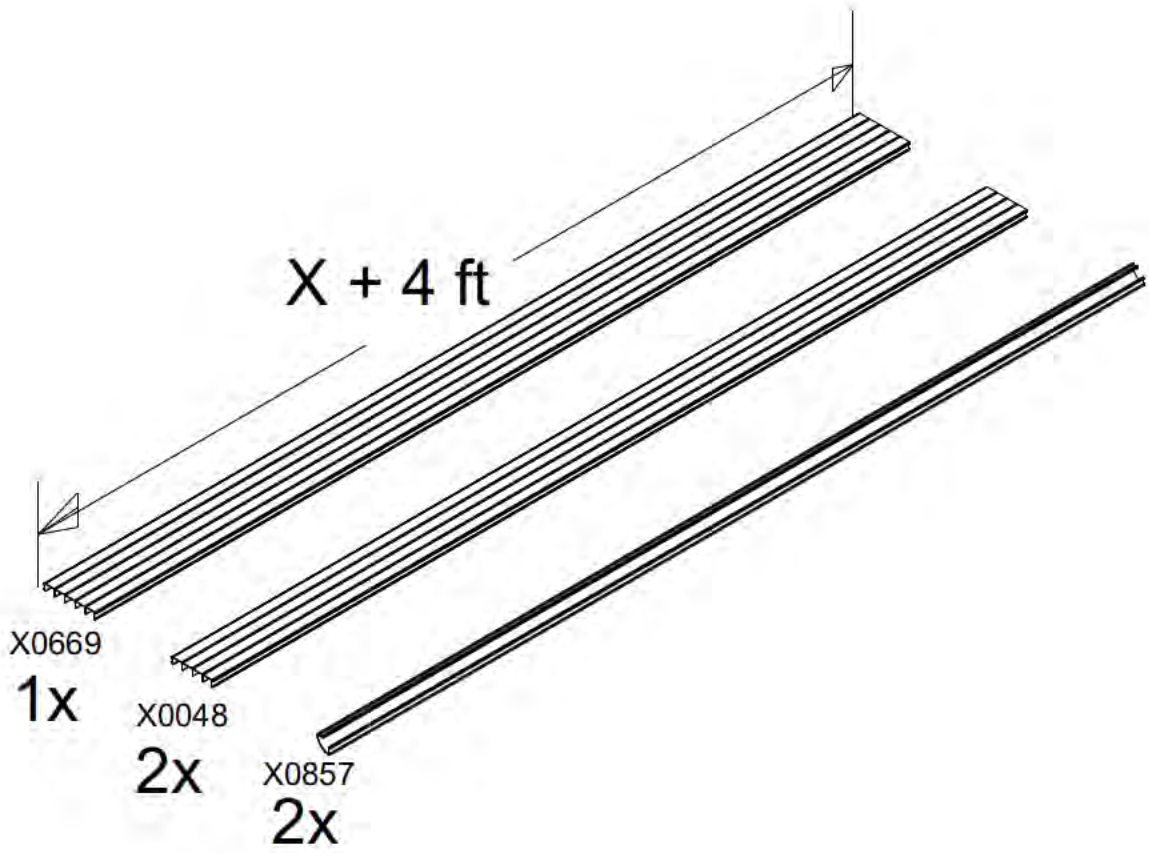
CUT



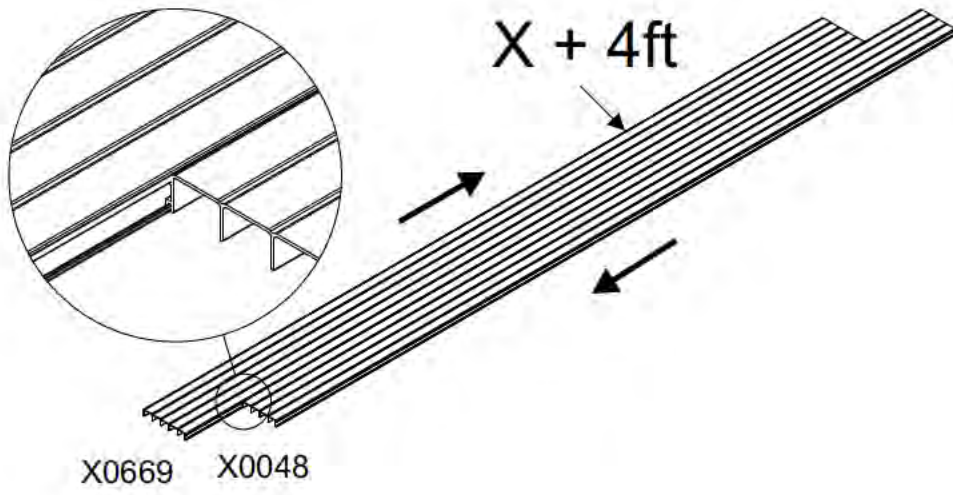
3



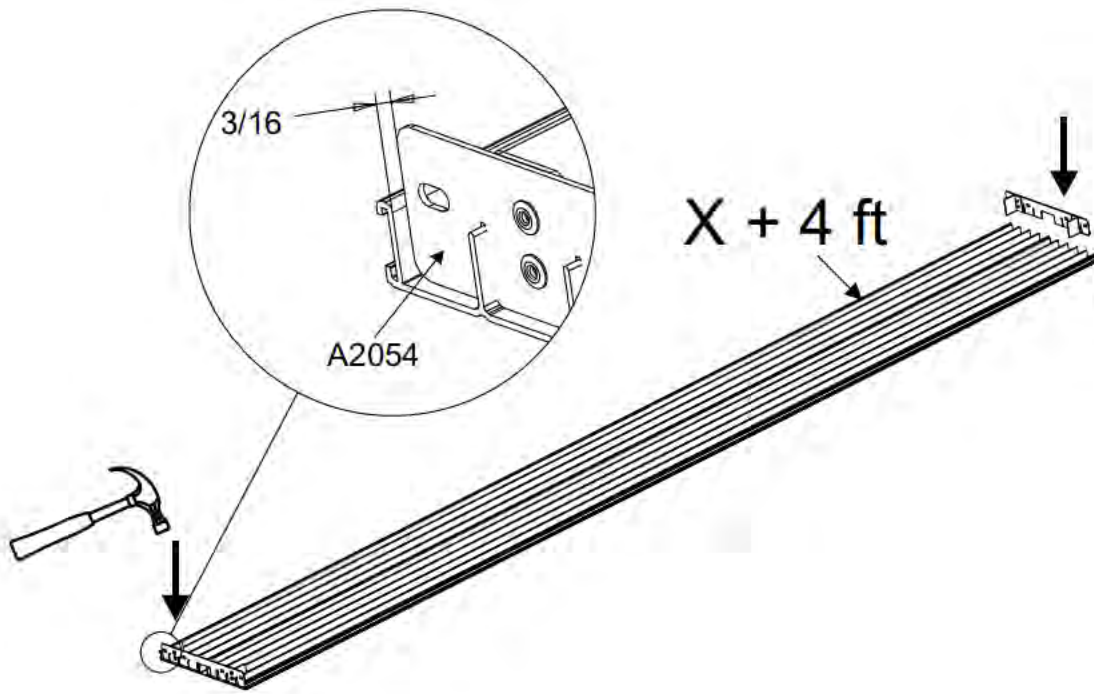
4
CUT



5

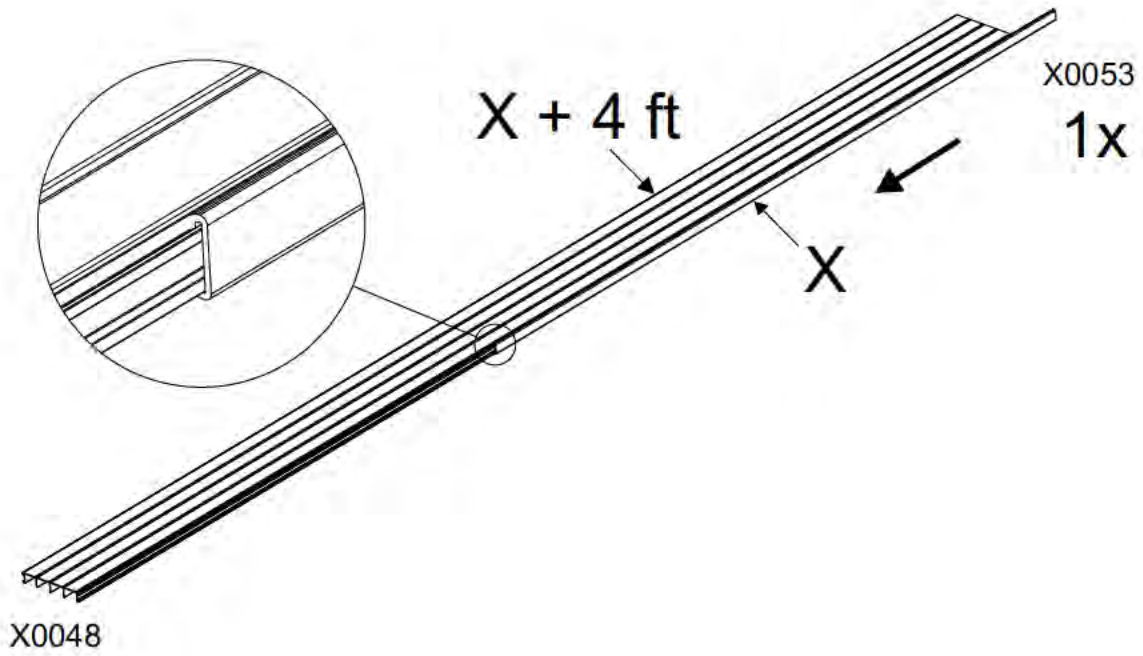


6

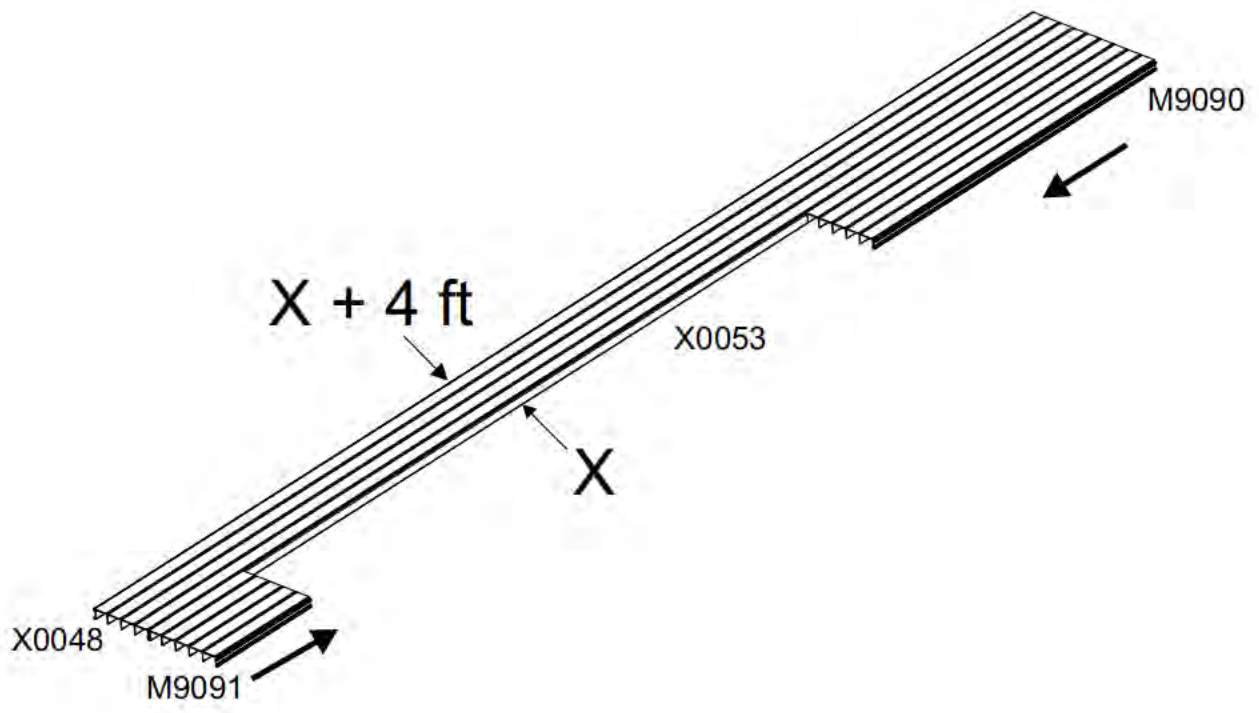


5

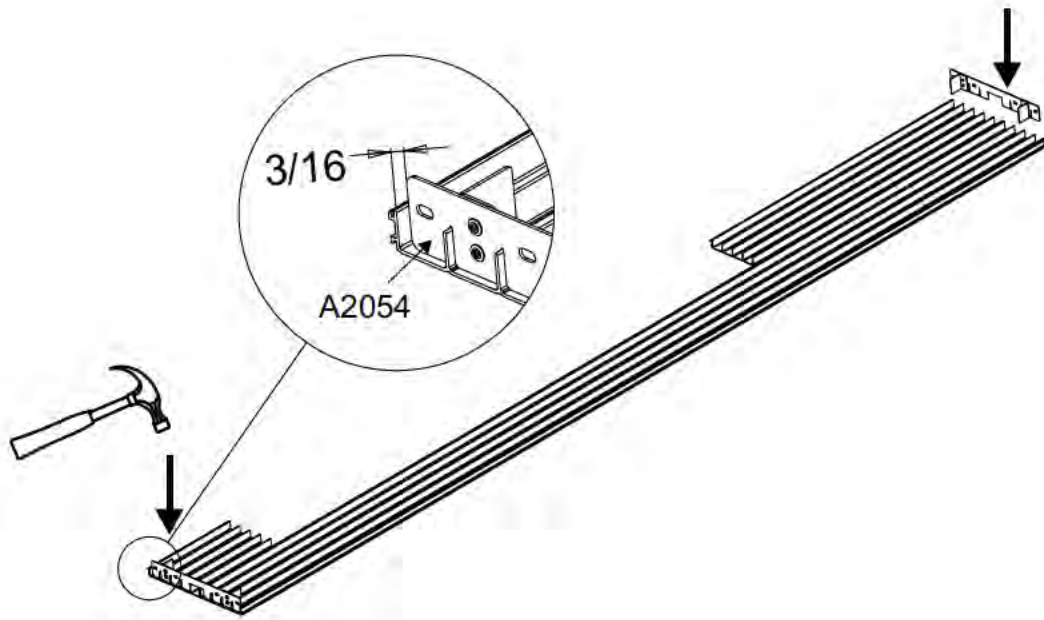
7



8



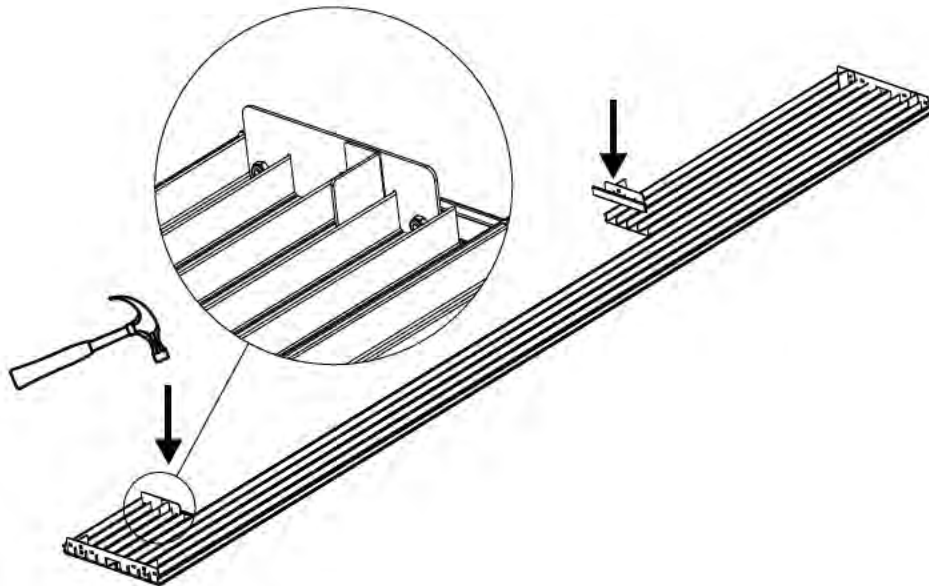
9



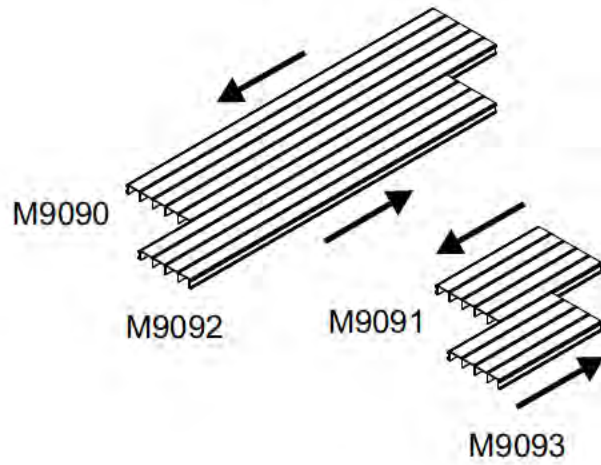
10



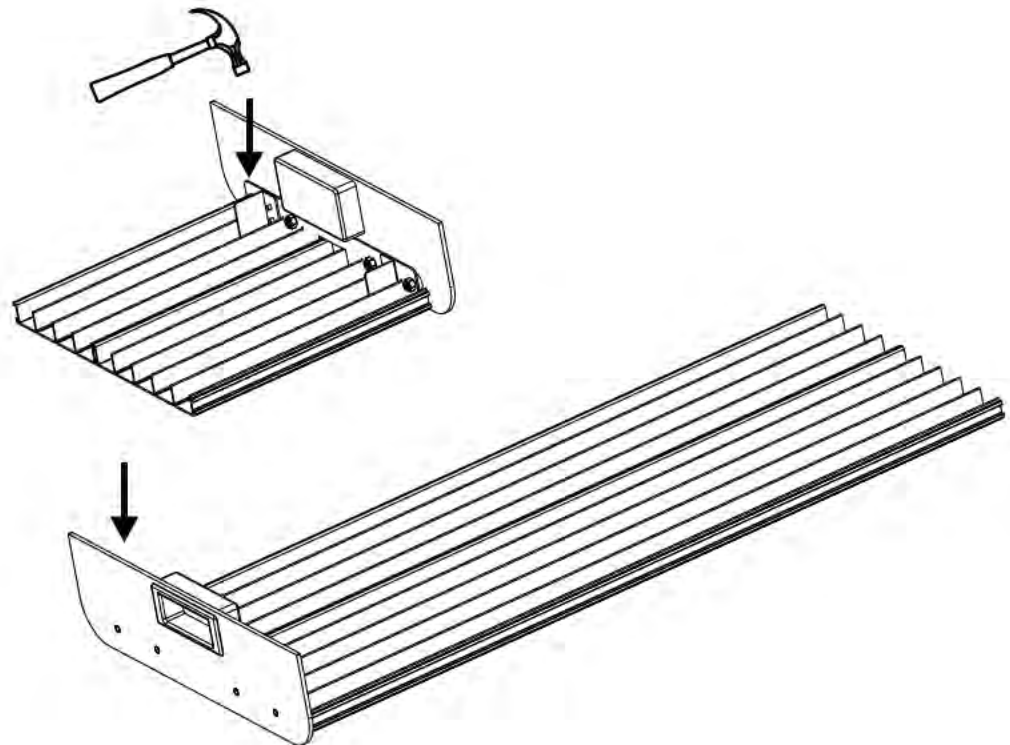
11



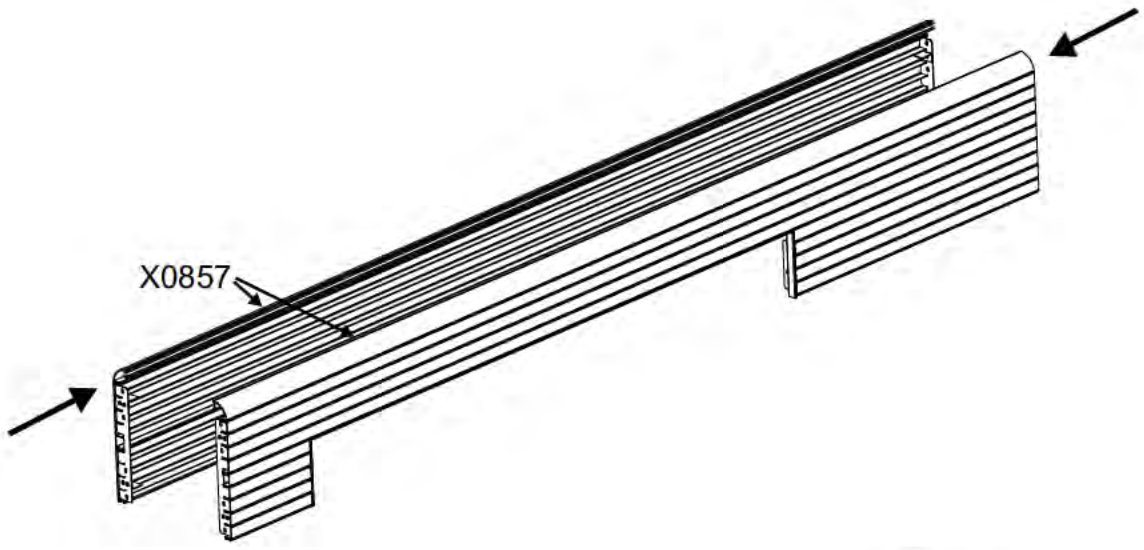
12



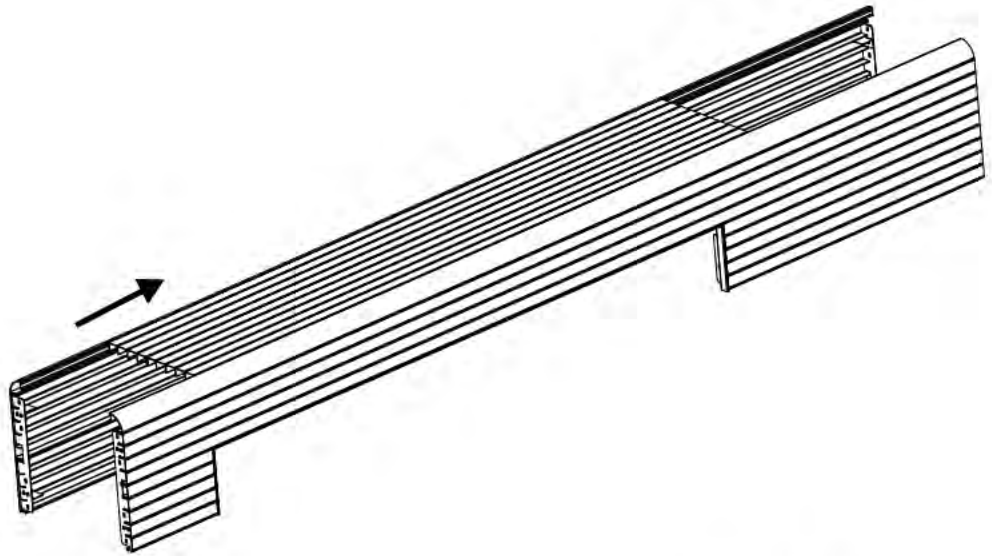
13



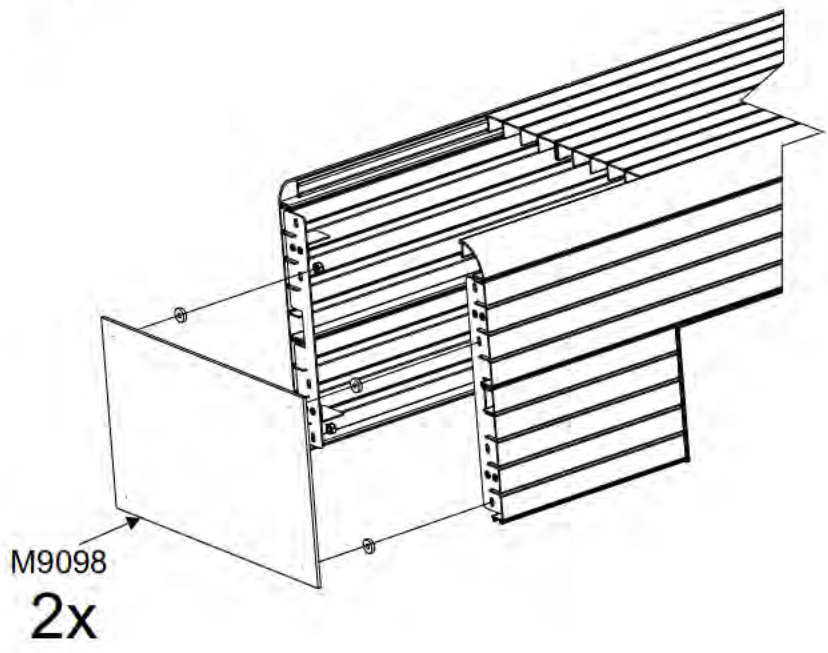
14



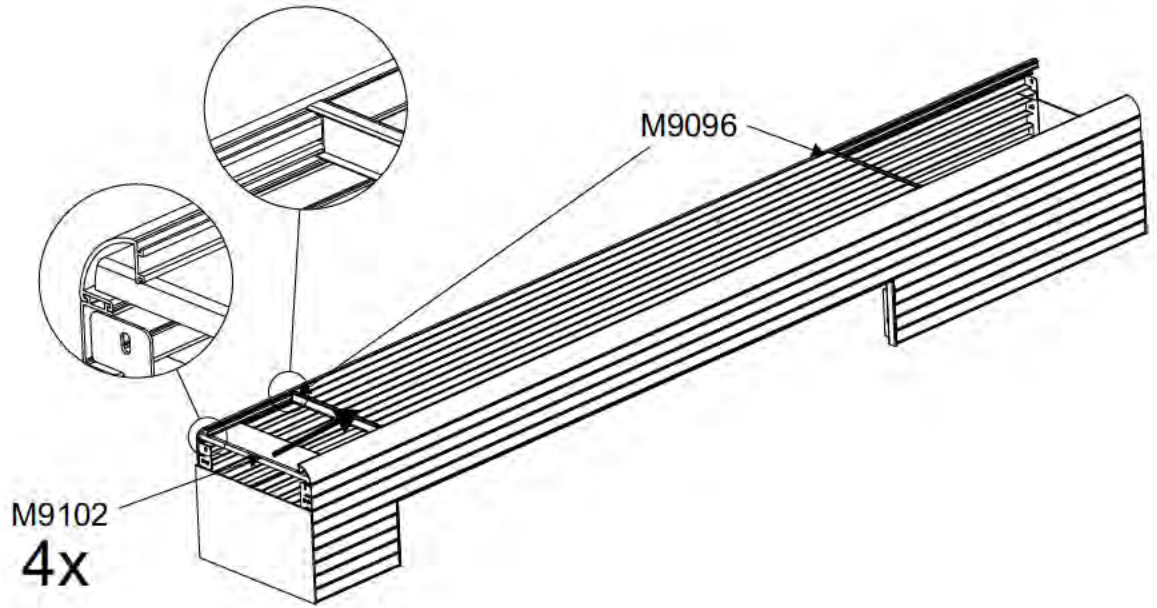
15



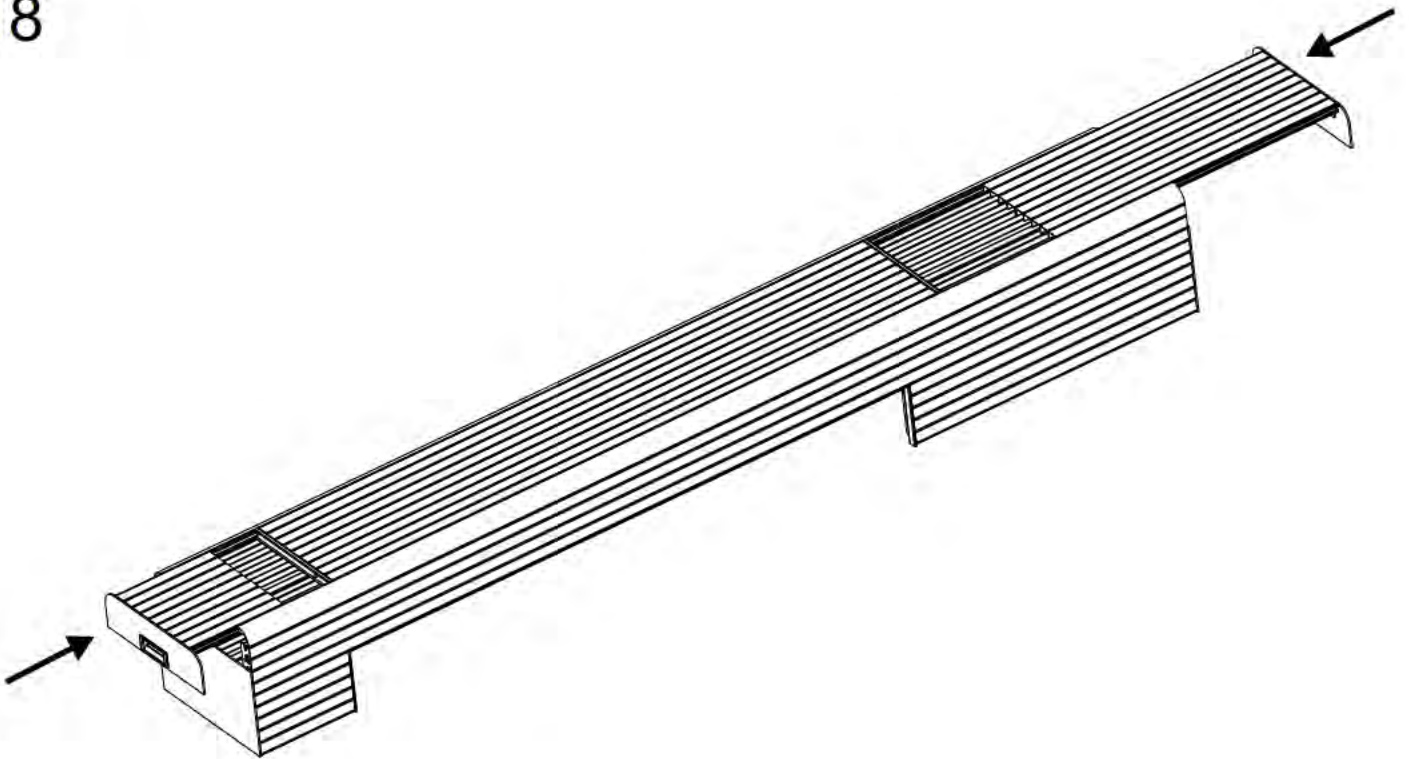
16



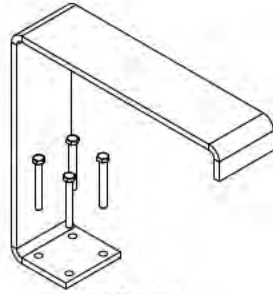
17



18



19



M9101

Bolt to deck. Bolts no included.

20

